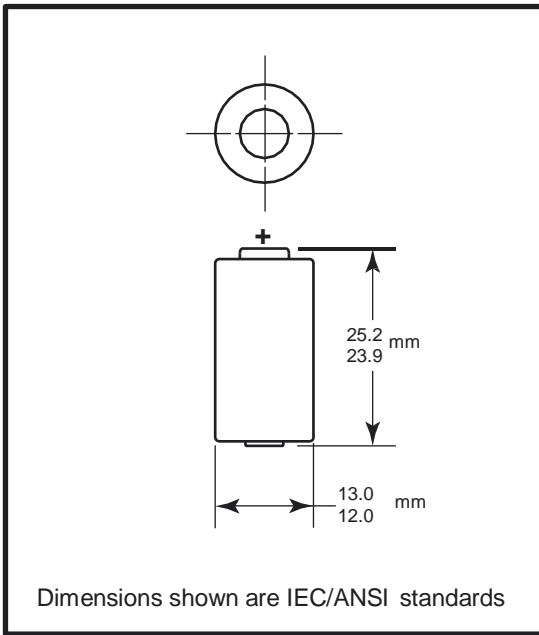


# DURACELL®

## Lithium/Manganese Dioxide Battery

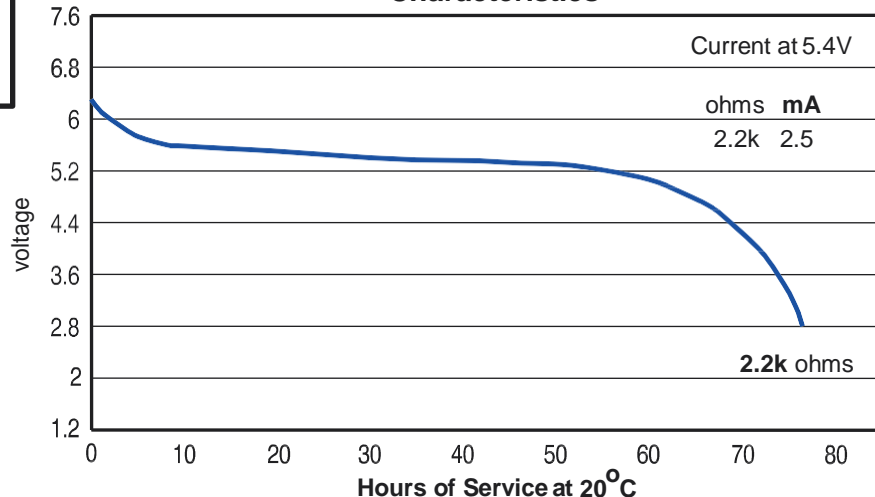
# PX28L

# Li/MnO<sub>2</sub>

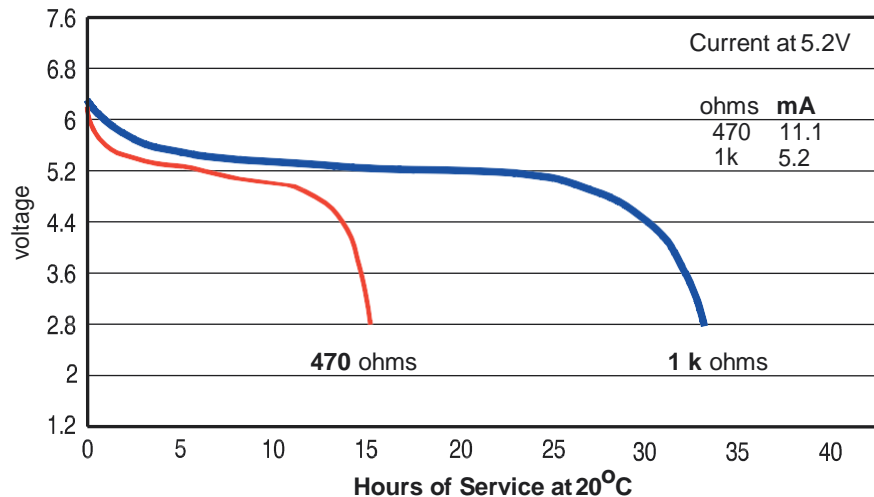


Nominal Voltage:	6.0 V
Typical Voltage:	6.0-6.6 V
Nominal Internal Impedance:	700 m-ohm @ 1kHz
Average Weight:	9.4 gm
Volume:	2.8 cm <sup>3</sup>
Terminals:	Flat, cap and base
Operating Temperature Range:	-20°C to 60°C (-4 F to 140 F)
NEDA/ANSI:	1406LC
IEC:	2CR11108

### Typical Discharge Characteristics



### Typical Discharge Characteristics



# DURACELL®

BATTERIES

Berkshire Corporate Park  
Bethel, CT 06801 U.S.A.  
Telephone: Toll-free 1-800-544-5454  
Internet: www.duracell.com

\* Delivered capacity is dependent on the applied load, operating temperature and cut-off voltage. Please refer to the charts and discharge data shown for examples of the energy / service life that the battery will provide for various load conditions.